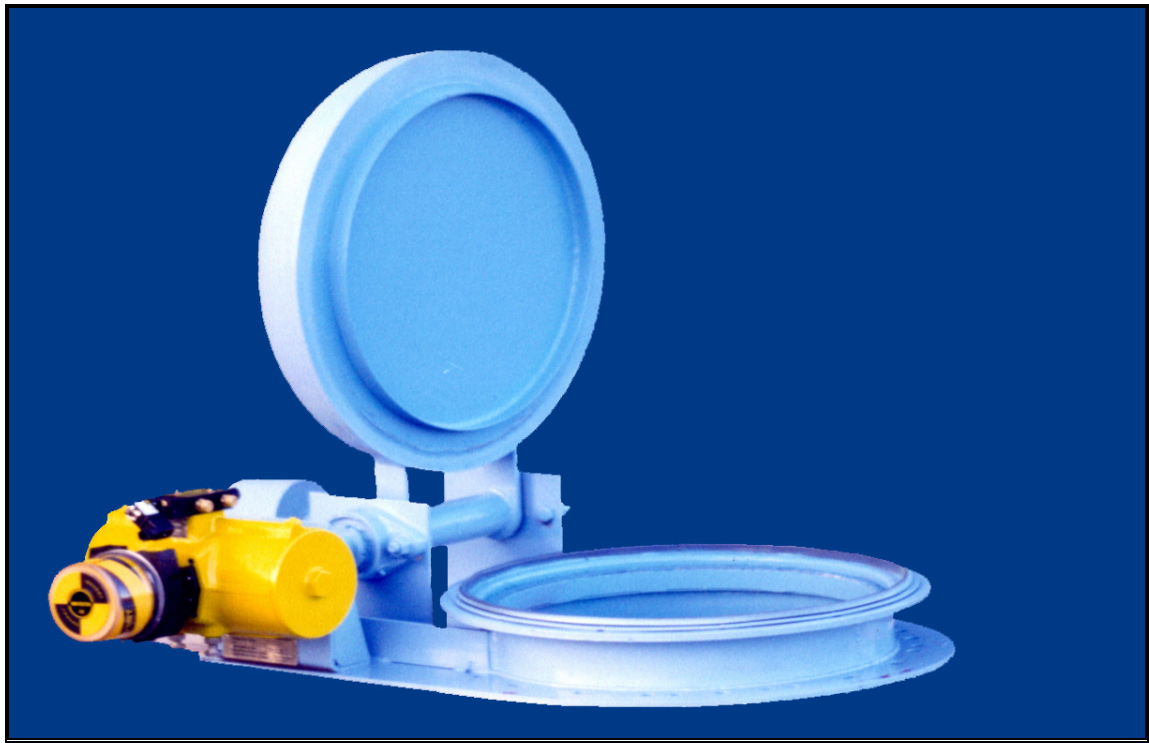


## VALVE DAMPER RCN

REV 00



### Application areas

RCN is an isolation damper used to open and close a line inlet or outlet. It is fitted on the extremity of the pipe and it is adapted to the consequences of the cold / hot interface, such as the corrosive condensation risk.

- Current temperatures up to 350 °C

### Construction

- One body made with a ring, a connecting flange and a second flange supporting the tightness gasket
- One valve on which is fitted a shield to protect the rock-wool thermal insulation
- One drive shaft
- Guiding of the shaft by a self adjusting ball bearing
- One actuator support
- Protection grid in option
- Standard painting: one layer of primer ; other systems on demand

### Material (examples)

- Body and valve : Carbon steel
- Shaft : Carbon steel, Stainless steel
- When in contact with corrosives , possible application of organic coatings

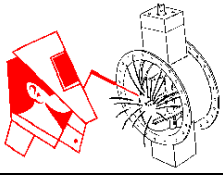
### Upstream / downstream tightness

Two choices :

- Valve in contact with a ceramic fibre tress
- Double gasket system based on simultaneous contact of the valve with a ceramic fibre tress and with a "music key" shaped join made of a convenient elastomer

### Actuation

- Electrical with manual steering wheel
- Pneumatic double and single acting
- Shut off
- Limit switches

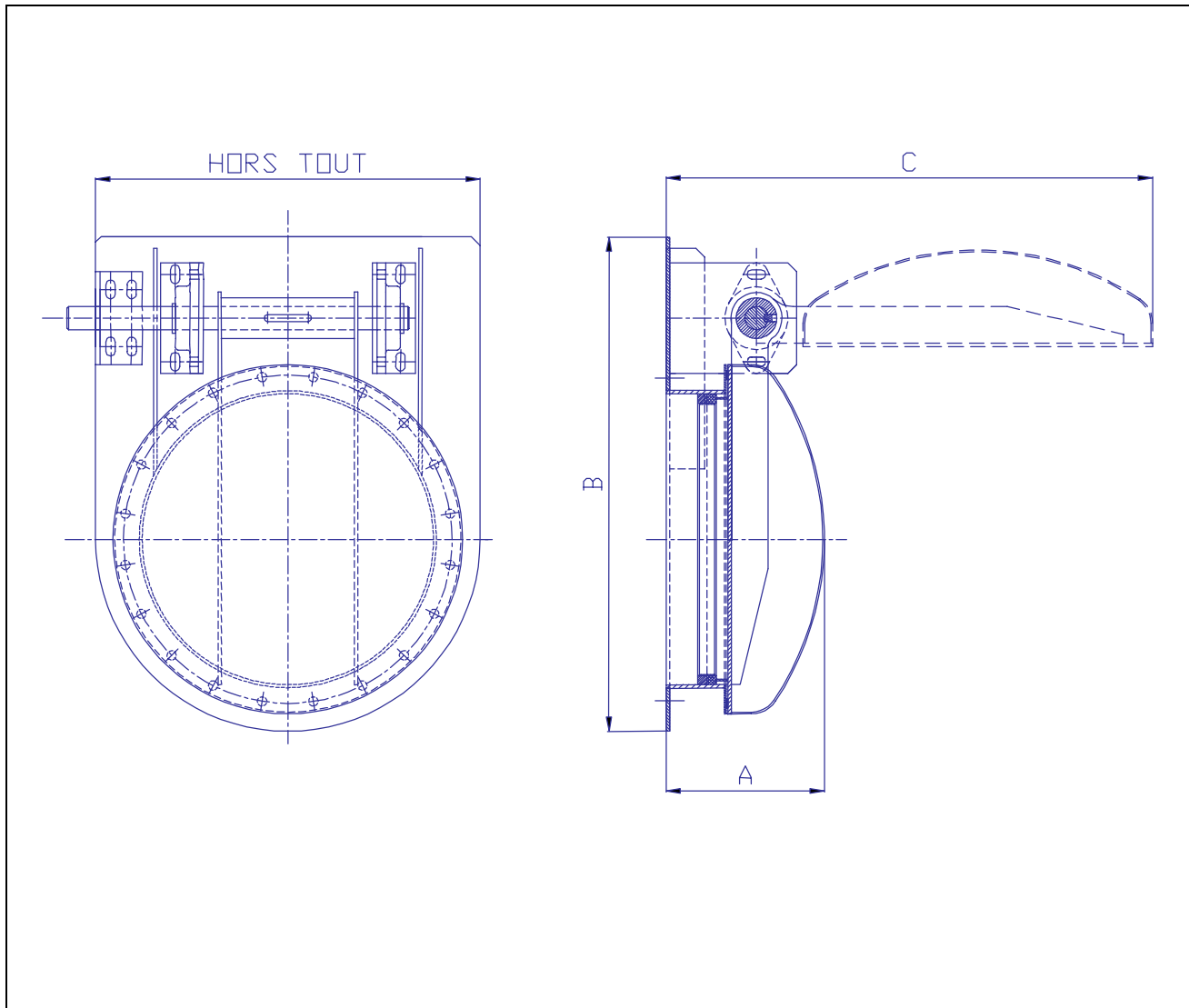


# CCMG

*Hot gases dampers and valves  
Regulation and isolation  
Designer and constructor*

## VALVE DAMPER RCN

REV 00



ND	A	B	C	Outside Ø	Overall	Holes Qty	Holes Ø	Drilling Ø
300	200	550	540	410	470	12	16	370
400	240	640	630	510	570	16	16	470
500	250	740	740	630	680	20	16	580
600	260	850	840	730	780	20	16	680
700	280	950	940	830	880	24	16	780
800	280	1050	1040	950	990	24	16	895

**CCMG can also design to customer's dimensions : ND & connecting pattern**

This specification can be modified without notice ; only the general arrangement drawing of the order is contractual