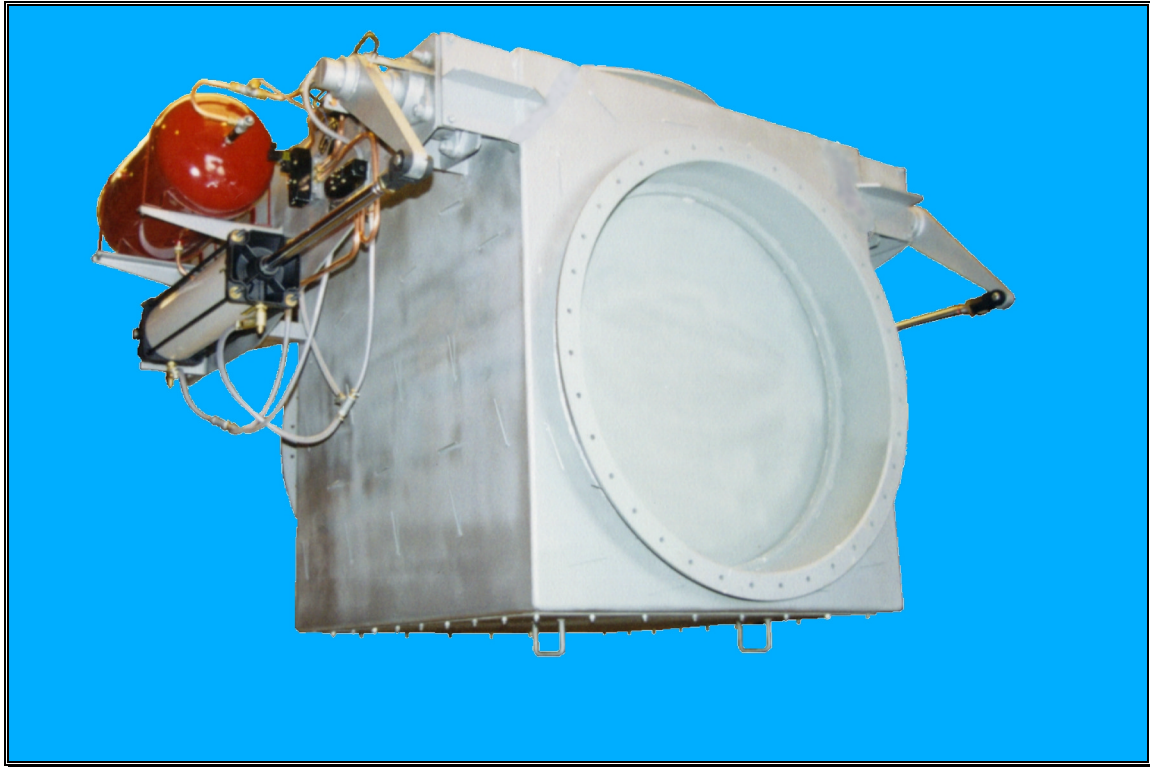


## DIVERTAIR DAMPER RDIV

REV 00



### Application areas

RDIV is a 3 way damper designed to run the energy recovery in exhaust gas of co-generation power stations equipped with Diesel engine, gas engine or gas turbine. It can also be used as a by-pass in other applications. With a compact design taking little room, it is ideal to operate in on and off mode.

- Current temperature around 550 °C
- Current pressure up to 600 mm of WK

### Construction

- One cubic body, three rings with a connecting flange
- One swivel blade
- One drive shaft
- One shaft opposite to the drive
- Guiding of the shafts by self adjusting ball bearings fitted on a specific support
- Shaft sealing by gland type stuffing box

### Materials (examples)

According to temperature:

- Body and blade: Boiler carbon steel, Stainless steel 304L, 321
- Shafts: INOX 304

### Upstream / downstream tightness

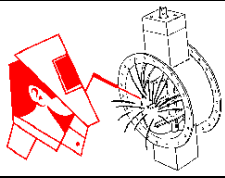
Blade in contact with:

- Rigid metal profile
- Ceramic fibre tress
- $\Omega$  type flexible metal profile
- With air barrier by injection

Leakage rate calculation on demand

### Actuation

- Electrical with manual steering wheel
- Pneumatic double and single acting
- Hydraulic
- Shut off function
- For regulation, consult us
- Limit switches or position transmitter

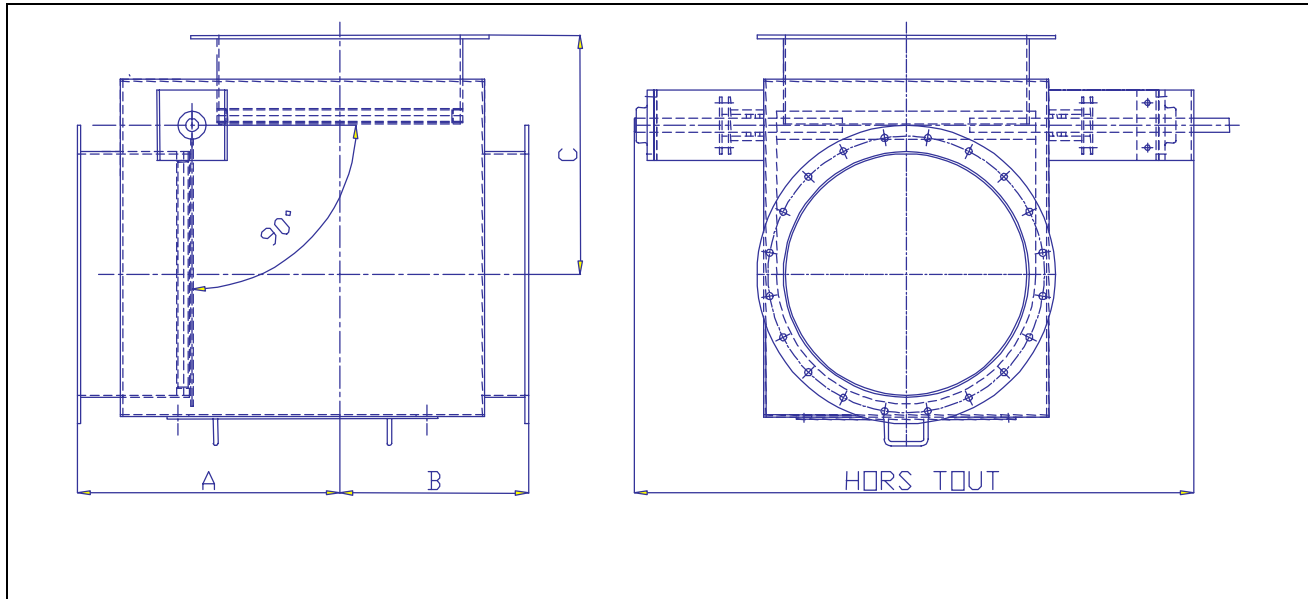


# CCMG

*Hot gases dampers and valves  
Regulation and isolation  
Designer and constructor*

## DIVERTAIR DAMPER RDIV

REV 00



ND	A	B	C	Out <sup>side</sup> Ø	Overall	Holes Qty	Holes Ø	Drilling Ø
300	430	300	430	410	850	12	16	365
350	455	325	455	460	900	12	16	415
400	480	350	480	510	950	12	16	465
450	505	375	505	560	1100	12	16	515
500	530	400	530	610	1150	20	16	565
550	555	425	555	660	1200	20	16	615
600	580	450	580	710	1250	20	16	665
650	605	475	605	760	1300	20	16	715
700	630	500	630	830	1350	24	16	780
800	680	550	680	930	1460	24	16	880
900	730	600	730	1030	1560	24	16	980
1000	800	650	800	1150	1660	24	16	1090
1100	970	700	970	1250	1760	28	20	1190
1200	1020	750	1020	1350	1860	28	20	1290
1300	1100	800	1100	1450	1960	28	20	1390
1400	1150	850	1150	1550	2060	28	20	1490
1500	1200	900	1200	1675	2160	28	20	1600
1600	1250	950	1250	1775	2280	28	20	1700
1700	1300	1000	1300	1875	2380	28	20	1800
1800	1350	1050	1350	1975	2480	28	20	1900
1900	1400	1100	1400	2075	2580	28	20	2000
2000	1500	1150	1500	2220	2680	32	22	2120

CCMG can also design to customer's dimensions : ND & connecting pattern

This specification can be modified without notice ; only the general arrangement drawing of the order is contractual