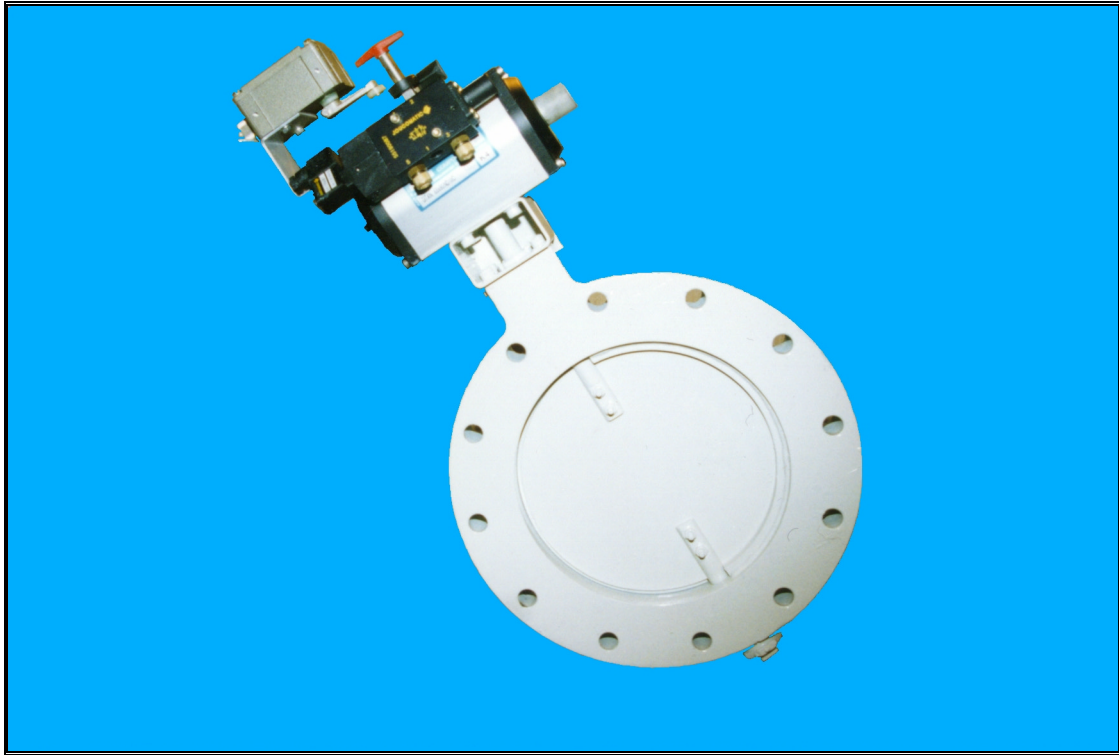


WAFFER BUTTERFLY DAMPER REB

REV 00



Application areas

- REB is an economically designed damper, made on ND from 100 à 500.
- Temperatures up to 180 °C
 - Clean gas or with small amount of dust
 - Pressure up to 200 mm of WK

In case of more severe working conditions, consult us

Construction

- One body machine tooled from a tile and designed to be fitted between two flanges
- One butterfly
- One drive shaft guided by a ball bearing with a conical fixing ring
- One shaft opposite to the drive guided by a brass ring
- Shaft sealing by gland type stuffing box on drive side, by a one inch plug with gas tread on other side
- Standard painting: one layer of primer ; other systems on demand

Materials (examples)

- Body and butterfly : Carbon steel
- Shafts : Carbon steel
- Other materials on demand : Aluminium, Stainless steel, Plastics ...

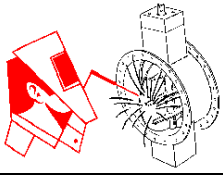
Upstream / downstream tightness

- Butterfly in contact with :
- Square metal profile
 - Elastic gasket
 - No contact ; peripheral clearance

Leakage rate calculation on demand

Actuation

- Electrical with manual steering wheel
- Pneumatic double and single acting
- Manual
- Shut off or regulation
- Limit switches or position transmitter

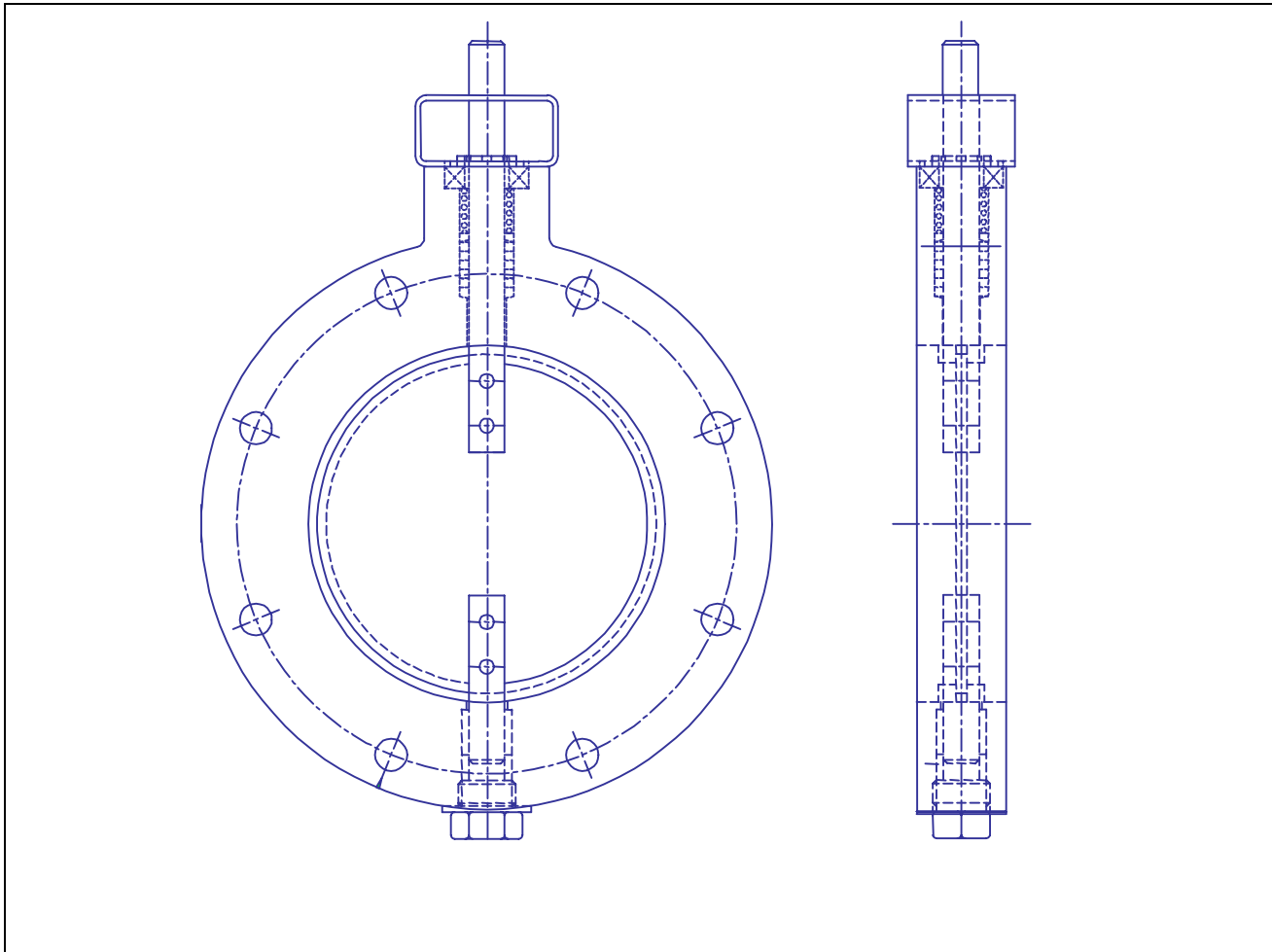


CCMG

*Hot gas dampers and valves
Regulation and isolation
Designer and constructor*

WAFER BUTTERFLY DAMPER REB

REV 00



ND	Thickness	Outside Ø	Overall	Holes Qty	Holes Ø	Drilling Ø
100	50	210	345	8	18	170
125	50	240	375	8	18	200
150	50	265	400	8	18	225
175	50	295	430	8	18	255
200	50	320	455	8	18	280
225	50	345	480	8	18	305
250	50	375	510	12	18	335
300	50	440	575	12	22	395
350	50	490	625	12	22	445
400	50	540	675	16	22	495
450	50	595	730	16	22	550
500	50	645	780	20	22	600

CCMG can also design to customer's dimensions : ND & connecting pattern

This specification can be modified without notice ; only the general arrangement drawing of the order is contractual