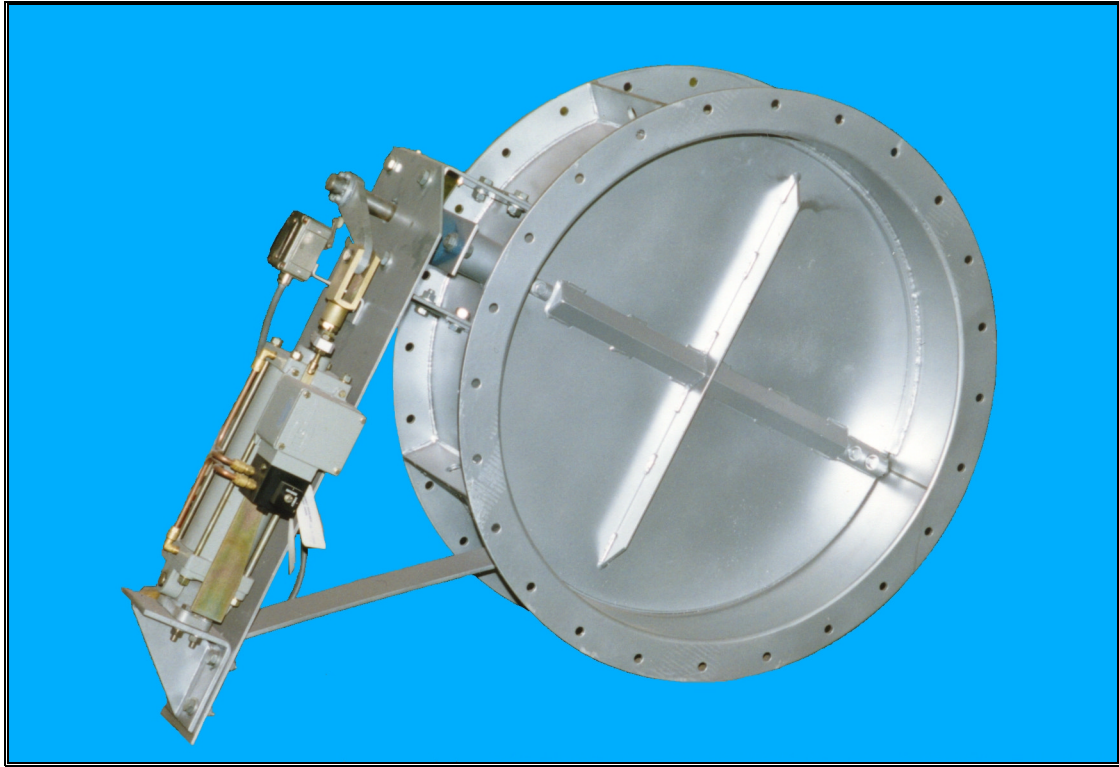


BUTTERFLY DAMPER RP 350

REV 01



Application areas

RP 350 is a damper designed for operations in hot gas and smoke ducts.

- Temperature up to 350 °C
- Gas with dust
- Abrasion

Construction

- One ring and two connecting flanges
- One butterfly
- One drive shaft
- One shaft opposite to the drive
- Guiding of shafts by self adjusting ball bearings
- Shaft sealing by gland type stuffing box
- Reinforcement between flanges with lifting points
- Standard painting: one layer of primer ; other systems on demand

Materials (examples)

According to application and temperature :

- Body and butterfly : Carbon steel, Creusabro
- Shafts : XC38, 35CD4, Stainless steel

Upstream / downstream tightness

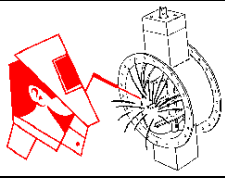
Butterfly in contact with :

- Square or triangular metal profile
- Ceramic fibre tress
- Flexible metal blades
- No contact ; peripheral clearance

Leakage rate calculation on demand

Actuation

- Electrical with manual steering wheel
- Pneumatic double and single acting
- Hydraulic
- Manual
- Shut off or regulation
- Limit switches or position transmitter

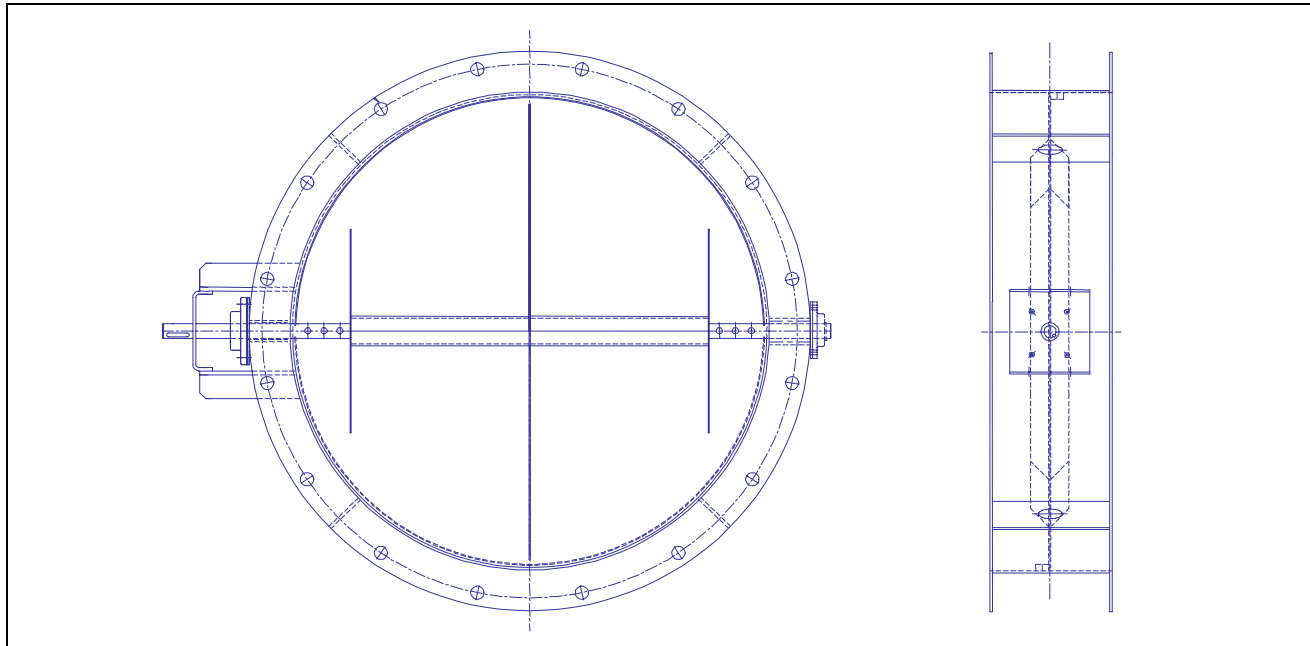


CCMG

*Hot gas dampers and valves
Regulation and isolation
Designer and constructor*

BUTTERFLY DAMPER RP 350

REV 01



ND	Thickness	Outside Ø	Overall	Holes Qty	Holes Ø	Drilling Ø
300	150	410	650	12	16	365
400	200	510	750	12	16	465
500	200	610	850	20	16	565
600	250	710	950	20	16	665
700	250	830	1050	24	16	780
800	300	930	1150	24	16	880
900	300	1030	1250	24	16	980
1000	300	1150	1360	24	16	1090
1100	300	1250	1460	28	20	1190
1200	300	1350	1560	28	20	1290
1300	300	1450	1660	28	20	1390
1400	300	1550	1760	28	20	1490
1500	300	1675	1860	28	20	1600
1600	300	1775	1970	28	20	1700
1700	300	1875	2070	28	20	1800
1800	300	1975	2170	28	20	1900
1900	300	2075	2290	28	20	2000
2000	400	2220	2390	32	22	2120
2100	400	2320	2490	32	22	2220
2200	400	2420	2590	32	22	2320
2300	400	2520	2690	32	22	2420
2400	400	2620	2800	32	22	2520
2500	400	2725	2900	32	22	2620
2600	400	2825	3000	36	24	2720
2700	400	2925	3100	36	24	2820
2800	400	3025	3200	36	24	2920
2900	400	3125	3320	36	24	3020
3000	500	3270	3440	36	24	3150

CCMG can also design to customer's dimensions : ND & connecting pattern

This specification can be modified without notice ; only the general arrangement drawing of the order is contractual