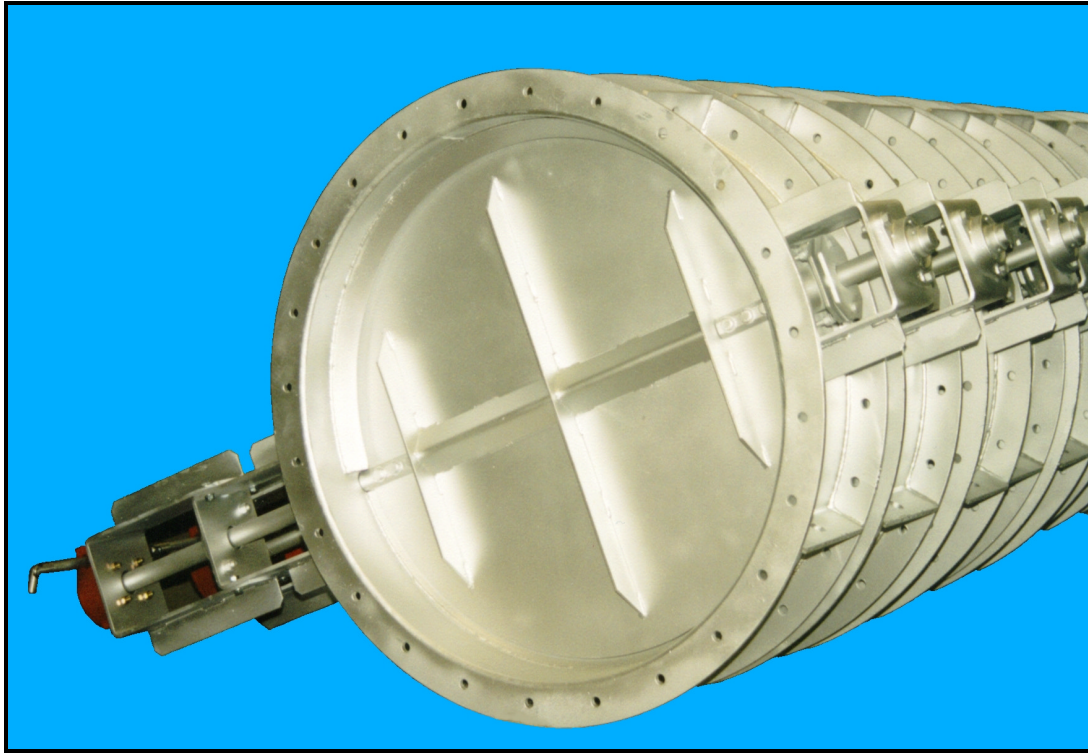


BUTTERFLY DAMPER RP 500

REV 00



Application areas

RP 500 is a damper designed for the most severe working conditions :

- Temperature up to 500 °C
- Gas with dust
- Abrasion

Construction

- One ring and two connecting flanges
- One butterfly
- One drive shaft
- One shaft opposite to the drive
- Guiding of shafts by self adjusting ball bearings fitted on supports
- Shaft sealing by gland type stuffing box
- Reinforcement between flanges with lifting points
- Standard painting: one layer of primer ; other systems on demand

Materials (examples)

According to application and temperature :

- Body and butterfly : Carbon steel, Chromium alloys, Stainless steel, Creusabro
- Shafts : Carbon steel, Stainless steel

Upstream / downstream tightness

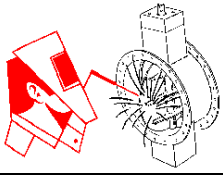
Butterfly in contact with :

- Square or triangular metal profile
- Ceramic fibre tress
- Flexible metal blades
- No contact ; peripheral clearance

Leakage rate calculation on demand

Actuation

- Electrical with manual steering wheel
- Pneumatic double and single acting
- Hydraulic
- Manual
- Shut off or regulation
- Limit switches or position transmitter

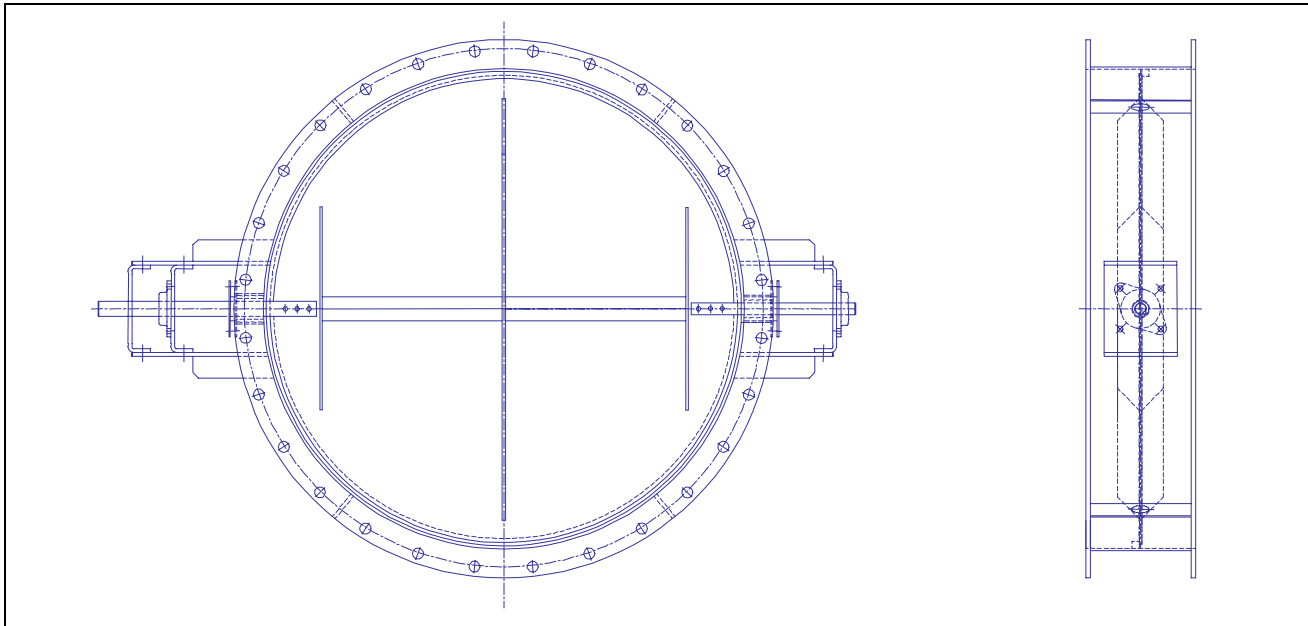


CCMG

*Hot gas dampers and valves
Regulation and isolation
Designer and constructor*

BUTTERFLY DAMPER RP 500

REV 00



ND	Thickness	Outside Ø	Overall	Holes Qty	Holes Ø	Drilling Ø
500	200	610	1150	20	16	565
600	250	710	1250	20	16	665
700	250	830	1350	24	16	780
800	300	930	1460	24	16	880
900	300	1030	1560	24	16	980
1000	300	1150	1660	24	16	1090
1100	300	1250	1760	28	20	1190
1200	300	1350	1860	28	20	1290
1300	300	1450	1960	28	20	1390
1400	300	1550	2060	28	20	1490
1500	300	1675	2160	28	20	1600
1600	300	1775	2280	28	20	1700
1700	300	1875	2380	28	20	1800
1800	300	1975	2480	28	20	1900
1900	300	2075	2580	28	20	2000
2000	400	2220	2680	32	22	2120
2100	400	2320	2800	32	22	2220
2200	400	2420	2900	32	22	2320
2300	400	2520	3000	32	22	2420
2400	400	2620	3100	32	22	2520
2500	400	2725	3200	32	22	2620
2600	400	2825	3330	36	24	2720
2700	400	2925	3430	36	24	2820
2800	400	3025	3530	36	24	2920
2900	400	3125	3630	36	24	3020
3000	500	3270	3750	36	24	3150

CCMG can also design to customer's dimensions : ND & connecting pattern

This specification can be modified without notice ; only the general arrangement drawing of the order is contractual